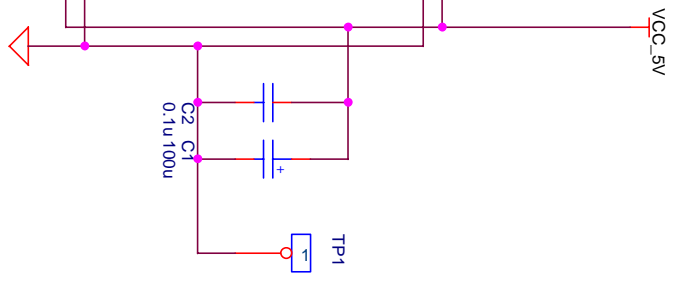
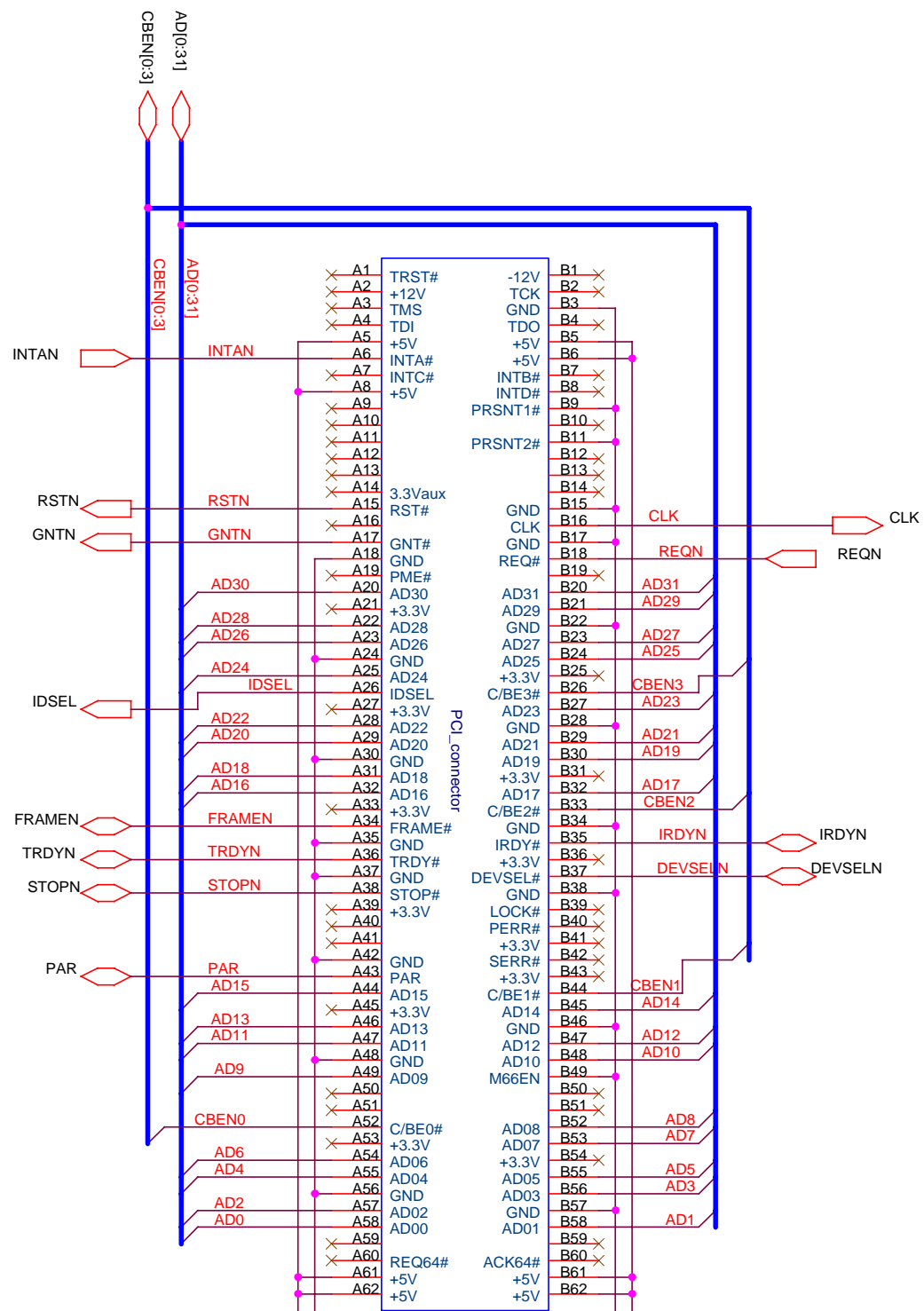
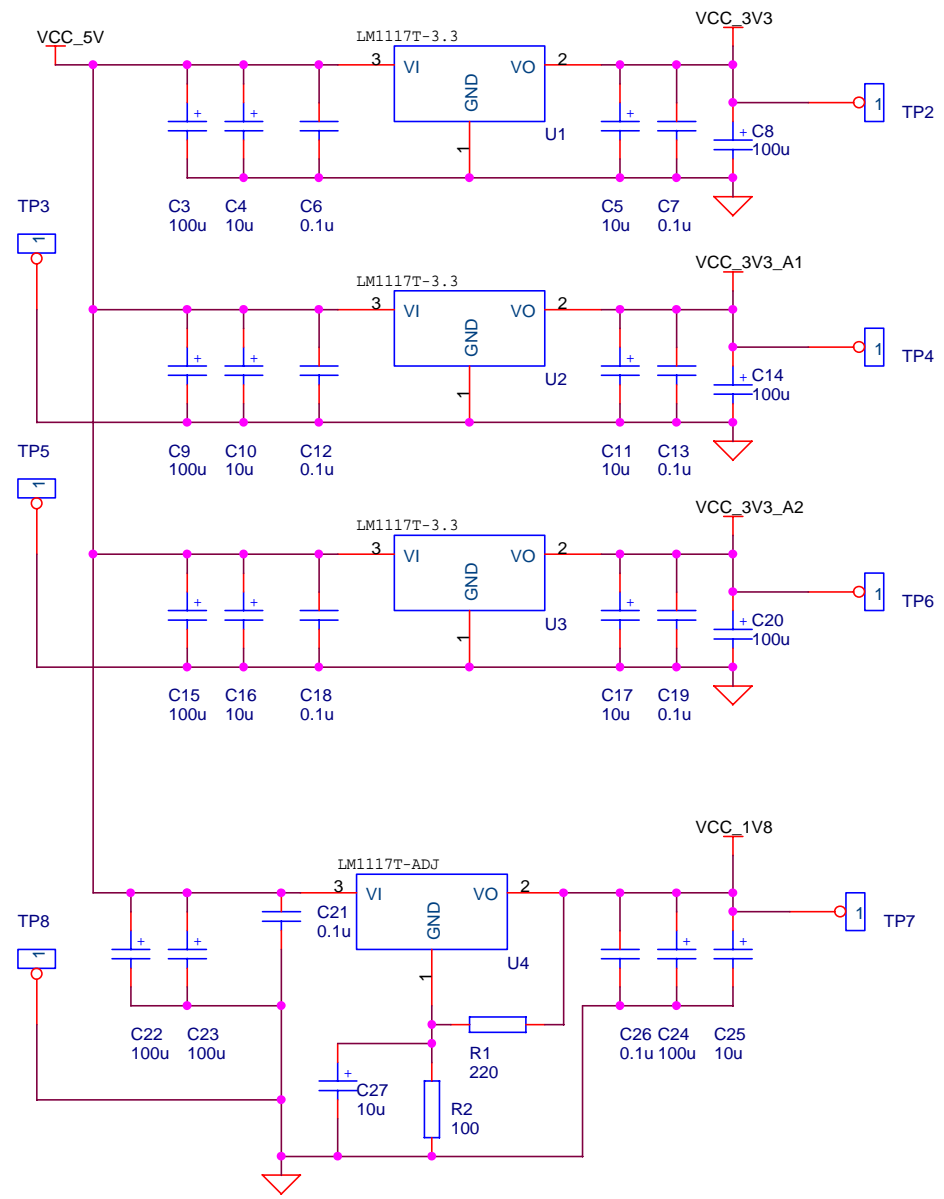


Title		
SU2P_TOP		
Size	Document Number	Rev
A4	SU2P_ASSP_0_01	0.1
Date:	Wednesday, February 20, 2002	Sheet 1 of 4

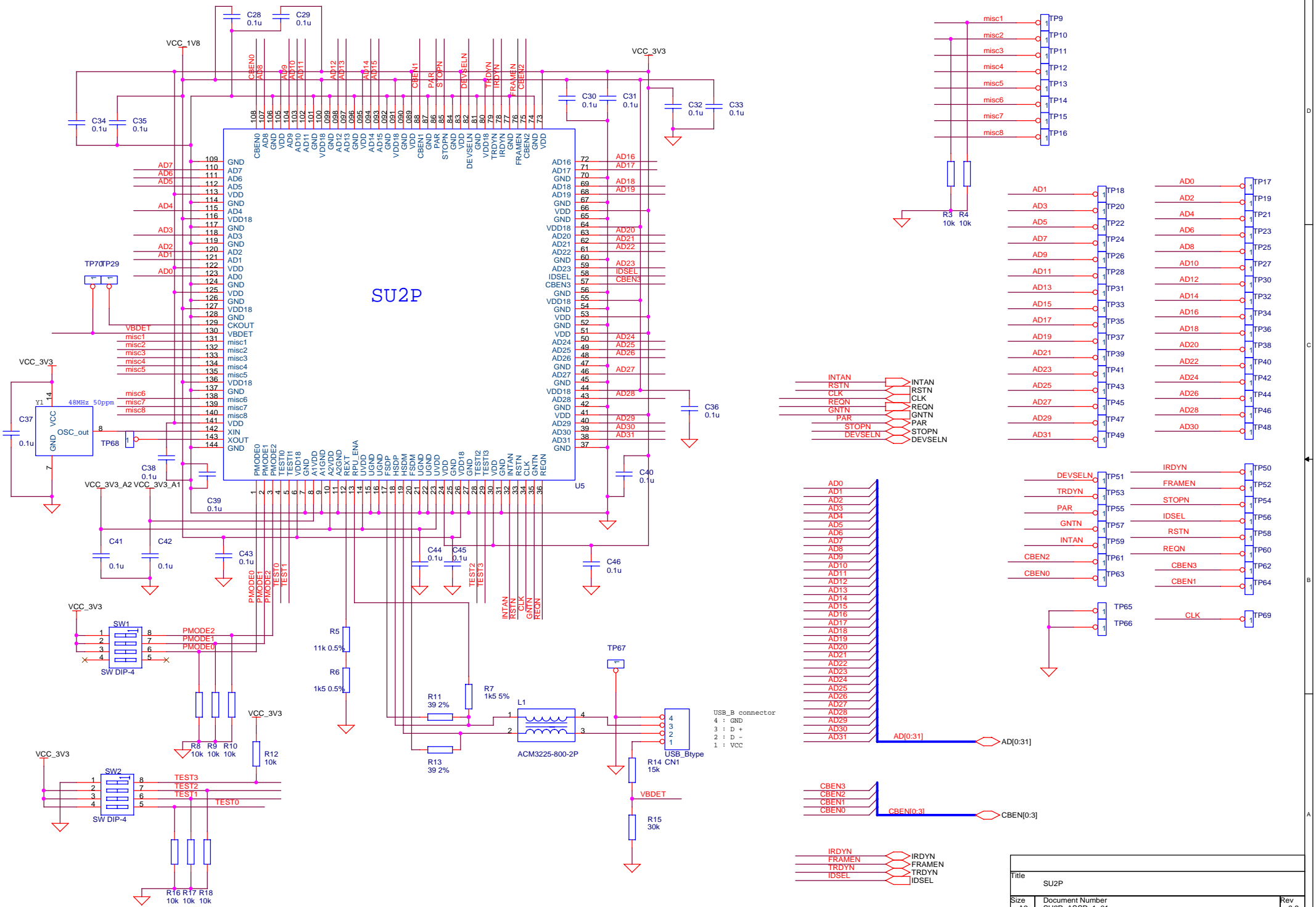


(c) 2002 Kawasaki Microelectronics, Inc. All right reserved. Company Confidential

Title		SU2P_PCI	
Size		Document Number	
A4		SU2P_ASSP_2_01	
Date:		Wednesday, February 20, 2002	
Sheet		2 of 4	
Rev		0.1	



Title		
SU2P_POWER		
Size	Document Number	Rev
A4	SU2P_ASSP_3_01	0.1
Date:	Wednesday, February 20, 2002	Sheet 3 of 4



Title		
SU2P		
Size	Document Number	Rev
A3	SU2P_ASSP_1_01	0.3
Date:	Wednesday, February 20, 2002	Sheet 4 of 4