

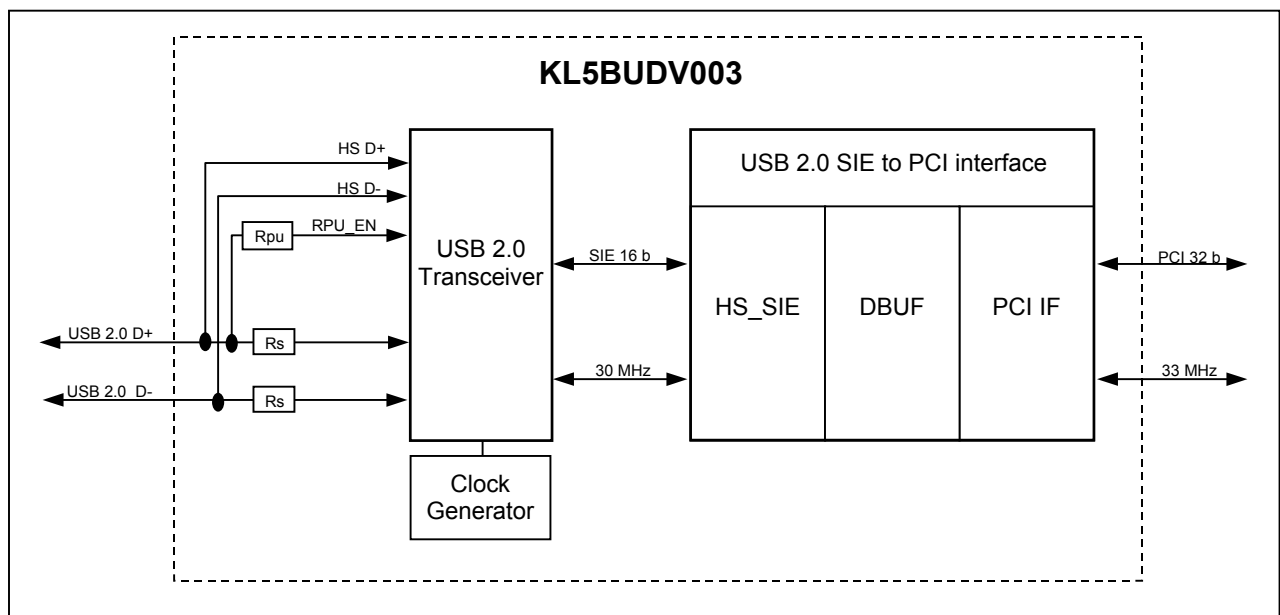
### General Description

The Kawasaki KL5KBUDV003 is a high performance device that transfers data between the USB2.0 high-speed BUS and the PCI 33MHz, 32 bit BUS. This 1 chip solution has USB 2.0 transceiver embedded reducing space and cost. The KL5KBUDV003 is an ideal solution to convert a PCI device to a USB2.0 Transceiver, HS\_SIE USB2.0 Transceiver interface, 4 sets of high-speed bulk packet size buffers, PCI interface and PCI master 2DMA channel support.

### Features

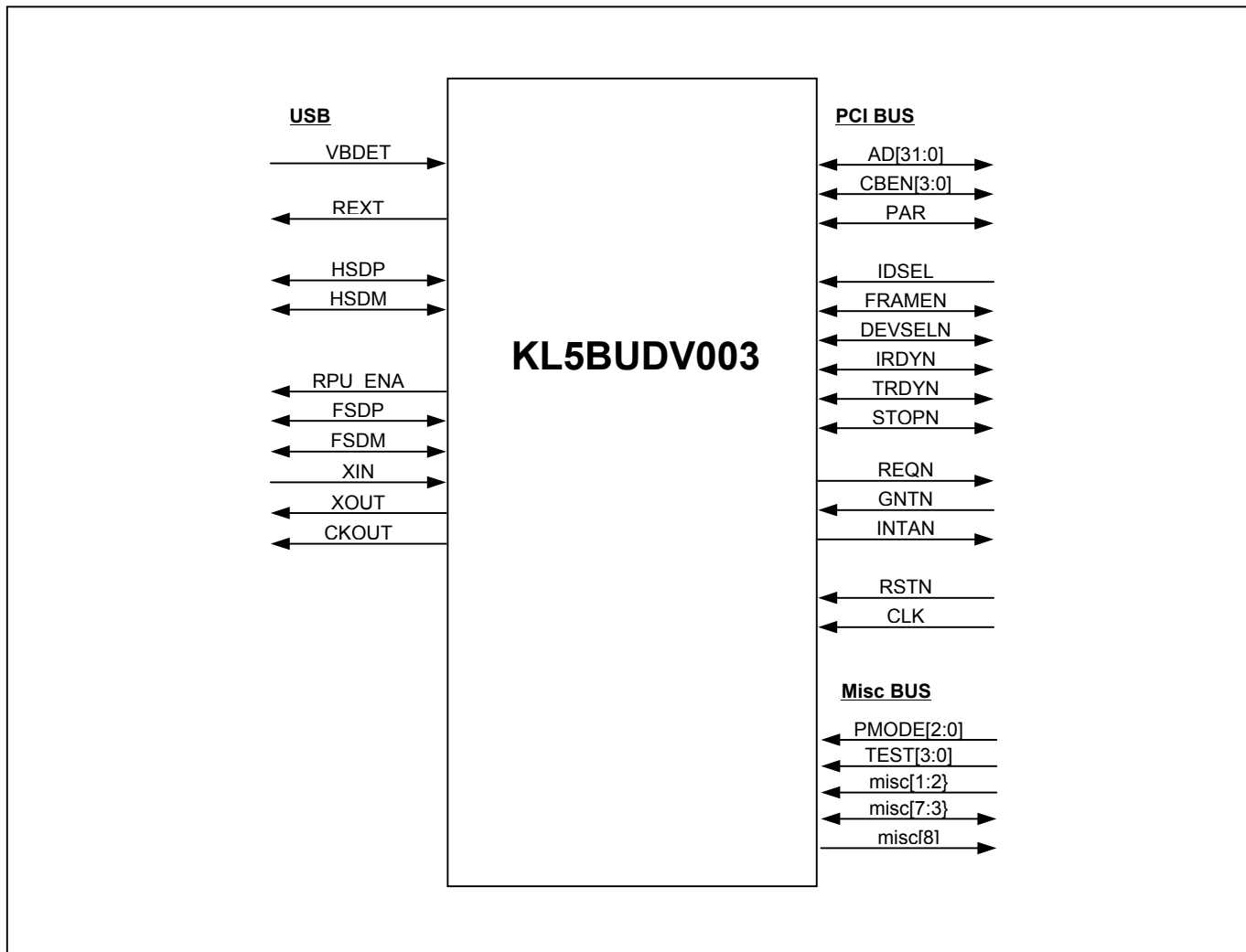
- 33MHz PCI interface
- USB 2.0 standard embedded transceiver.
- 30MHz USB 2.0 SIE BUS for High-Speed SIE operation
- Double packet buffer - 512x2 HS, 64Bx2 FS
- Internal DMA operation between the High-Speed SIE and Double Buffer
- High-Speed chirp protocol
- High-Speed/Full-Speed compatibility
- USB basic operation and transaction control
- Up to 5 endpoints
- PCI interface for Target and Master (2 DMA) modes
- Page and Descriptor DMA Modes
- USB data access by PCI target or DMA
- 0.18u Std cell technology
- $V_{dd} = 3.3V, T_a = 0\sim70^{\circ}C$

### Block Diagram





### Logical Pin Out



### Pin Description (PCI Mode)

Pin # QFP	I/O	Pin Name	Description
1	I	P_MODE[0]	Burst Length select flag
2	I	P_MODE[1]	Burst Length select flag
3	I	P_MODE[2]	Burst Length select flag
4	I	TEST[0]	LSI shipment test input and mode pin
5	I	TEST[1]	LSI shipment test input and mode pin
6	--	VDD18	1.8V power pin
7	--	GND	Ground
8	--	AVDD	3.3V power pin
9	--	GND	Ground
10	--	AVDD	3.3V power pin
11	--	GND	Ground
12	O	REXT	USB100uA fixed reference bias current pin
13	O	RPU_ENA	USB External pull up resistor source drive pin
14	--	AVDD	3.3V power pin
15	--	GND	Ground
16	--	GND	Ground
17	I/O	FSDP	USB FS_XVR DP pin
18	I/O	HSDP	USB HS_XVR DP pin
19	I/O	HSDM	USB HS_XVR DM pin
20	I/O	FSDM	USB FS_XVR DM pin
21	--	GND	Ground
22	--	GND	Ground
23	--	AVDD	3.3V power pin
24	--	VDD	3.3V power pin
25	--	GND	Ground
26	--	VDD18	1.8V power pin
27	--	GND	Ground
28	I	TEST[2]	LSI shipment test input and mode pin
29	I	TEST[3]	LSI shipment test input and mode pin
30	--	VDD	3.3V power pin
31	--	GND	Ground
32	O	INTAN	PCI interrupt signal
33	I	RSTN	PCI bus asynchronous reset input
34	I	CLK	PCI clock input
35	I	GNTN	PCI bus grant signal
36	O	REQN	PCI bus request signal
37	--	GND	Ground
38	I/O	AD[31]	PCI address data bus
39	I/O	AD[30]	PCI address data bus
40	I/O	AD[29]	PCI address data bus
41	--	VDD	3.3V power pin
42	--	GND	Ground
43	I/O	AD[28]	PCI address data bus
44	--	VDD18	1.8V power pin
45	--	GND	Ground
46	I/O	AD[27]	PCI address data bus
47	--	GND	Ground

Pin # QFP	I/O	Pin Name	Description
48	I/O	AD[26]	PCI address data bus
49	I/O	AD[25]	PCI address data bus
50	I/O	AD[24]	PCI address data bus
51	--	VDD	3.3V power pin
52	--	GND	Ground
53	--	VDD	3.3V power pin
54	--	GND	Ground
55	--	VDD18	1.8V power pin
56	--	GND	Ground
57	I/O	CBEN[3]	Bus command byte enable signal
58	I	IDSEL	Device-select signal during configuration
59	I/O	AD[23]	PCI address data bus
60	--	GND	Ground
61	I/O	AD[22]	PCI address data bus
62	I/O	AD[21]	PCI address data bus
63	I/O	AD[20]	PCI address data bus
64	--	VDD18	1.8V power pin
65	--	GND	Ground
66	--	VDD	3.3V power pin
67	--	GND	Ground
68	I/O	AD[19]	PCI address data bus
69	I/O	AD[18]	PCI address data bus
70	--	GND	Ground
71	I/O	AD[17]	PCI address data bus
72	I/O	AD[16]	PCI address data bus
73	--	VDD	3.3V power pin
74	--	GND	Ground
75	I/O	CBEN[2]	Bus command byte enable signal
76	I/O	FRAMEN	Cycle-frame signal
77	--	GND	Ground
78	I/O	IRDYN	Initiator RDY signal
79	I/O	TRDYN	Target RDY signal
80	--	VDD18	1.8V power pin
81	--	GND	Ground
82	I/O	DEVSELN	Device-select signal
83	--	VDD	3.3V power pin
84	--	GND	Ground
85	I/O	STOPN	Target termination signal
86	I/O	PAR	Even parity flag
87	--	GND	3.3V power pin
88	I/O	CBEN[1]	Bus command byte enable signal
89	--	VDD	3.3V power pin
90	--	GND	Ground
91	--	VDD18	1.8V power pin
92	--	GND	Ground
93	I/O	AD[15]	PCI address data bus
94	I/O	AD[14]	PCI address data bus
95	--	VDD	3.3V power pin
96	--	GND	Ground
97	I/O	AD[13]	PCI address data bus
98	I/O	AD[12]	PCI address data bus

Pin # QFP	I/O	Pin Name	Description
99	--	GND	Ground
100	--	VDD18	1.8V power pin
101	--	GND	Ground
102	I/O	AD[11]	PCI address data bus
103	I/O	AD[10]	PCI address data bus
104	I/O	AD[9]	PCI address data bus
105	--	VDD	3.3V power pin
106	--	GND	Ground
107	I/O	AD[8]	PCI address data bus
108	I/O	CBEN[0]	Bus command byte enable signal
109	--	GND	Ground
110	I/O	AD[7]	PCI address data bus
111	I/O	AD[6]	PCI address data bus
112	I/O	AD[5]	PCI address data bus
113	--	VDD	3.3V power pin
114	--	GND	Ground
115	I/O	AD[4]	PCI address data bus
116	--	VDD18	1.8V power pin
117	--	GND	Ground
118	I/O	AD[3]	PCI address data bus
119	--	GND	Ground
120	I/O	AD[2]	PCI address data bus
121	I/O	AD[1]	PCI address data bus
122	--	VDD	3.3V power pin
123	I/O	AD[0]	PCI address data bus
124	--	GND	Ground
125	--	VDD	3.3V power pin
126	--	GND	Ground
127	--	VDD18	1.8V power pin
128	--	GND	Ground
129	O	CKOUT	USB CKOUT pin
130	I	VBDET	USB Vbus level detect pin
131	I	misc1	LSI shipment test pin
132	I	misc2	LSI shipment test pin
133	I/O	misc3	LSI shipment test pin
134	I/O	misc4	LSI shipment test pin
135	I/O	misc5	LSI shipment test pin
136	--	VDD18	1.8V power pin
137	--	GND	Ground
138	I/O	misc6	LSI shipment test pin
139	I/O	misc7	LSI shipment test pin
140	O	misc8	LSI shipment test pin
141	--	VDD	3.3V power pin
142	I	XIN	USB Connect to external crystal oscillator
143	O	XOUT	USB Connect to external crystal oscillator
144	--	GND	Ground

Kawasaki LSI assumes no responsibility or liability for (1) any errors or inaccuracies contained in the information herein and (2) the use of the information or a portion thereof in any application, including any claim for (a) copyright or patent infringement or (b) direct, indirect, special or consequential damages. There are no warranties extended or granted by this document. The information herein is subject to change without notice from Kawasaki LSI